

**Wall mounted folding seat**

- Wall mounted folding seat with wall support.
- Suitable for accessible showers.
- Holds up to 110 kg. approx (if the fixation is done properly)
- Durability, resistance and easy to clean.
- AISI 304 Stainless steel white Nylon finishing. Also available satin finishing (NOFER 15046.S) and polish finishing (NOFER 15046.B).



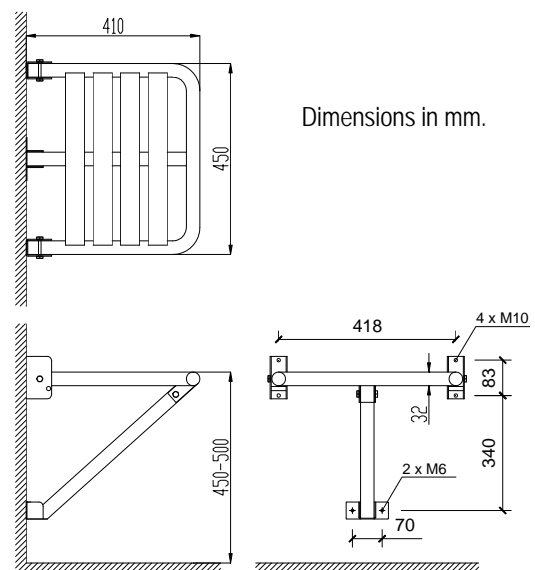
The picture belongs to NOFER 15046.S

**TECHNICAL DATA**

- Made in AISI 304 Stainless steel.
- Dimensions: 450 mm wide x 410 mm deep.
- Bars  $\varnothing$  32 mm x 1,5 mm thick.
- Recommended installation high: 450 - 500 mm from the finished floor.
- Delivered with stainless steel speed rod.
- Maintenance: stainless steel needs maintenance because dust can eventually damage the chrome in stainless steel. We recommend monthly cleaning with our special product.

**SUGGESTED TEXT FOR PRESCRIPTION**

Wall mounted folding seat NOFER or similar, made in AISI 304 stainless steel. Holds up to 110 kg. Dimensions: 450 mm wide x 410 mm deep. Bars  $\varnothing$  32 mm x 1.5 mm thick.

**TECHNICAL DRAWING**


NOFER S.L.  
 Avenida de la fama, 118  
 08940 · Cornellà de Llobregat (Barcelona)  
 Tel +34 934 742 423 · Fax +34 934 743 548  
 export@nofer.com · www.nofer.com

**Related Products**
