



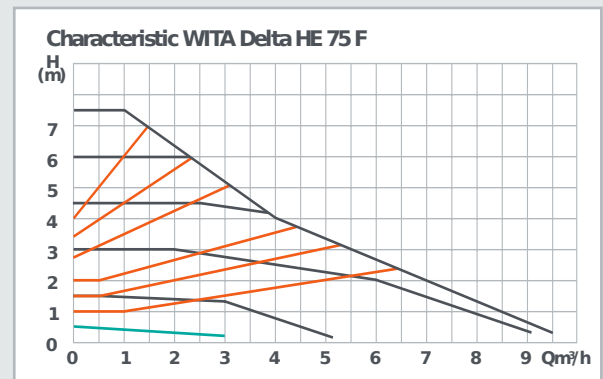
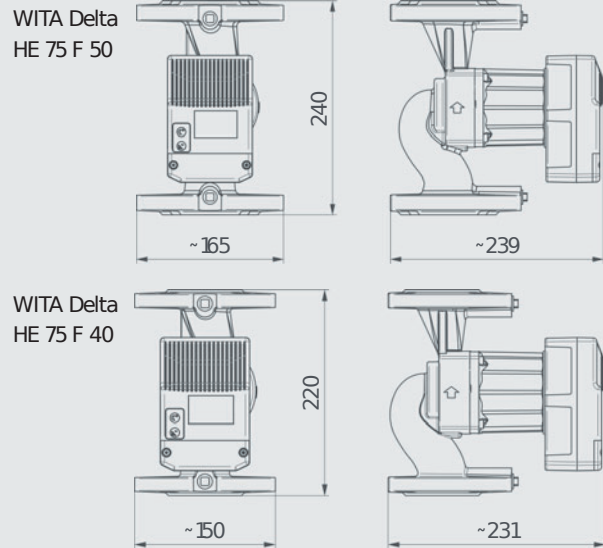
High efficiency pumps

WITA Delta HE 75 F



Technical Data

Max. pump lift	7.5 m
Max. flow rate	9.450 l/h
Power consumption	5 - 98 W
Control	5 constant characteristics, 6 proportional characteristics, night mode
Supply voltage	1x 230V, 50 Hz
Motor protection	No external motor protection required
Ip rating	IP 42
Ambient temperature	0 °C to +40 °C
Media temperature	+5 °C to +10 °C
Temperature class	TF 10 as per CEN 335-2-51
Temperature class	10 bar
Connection size	DN 40, DN 50
Installation lengths	DN 40 / 220 mm, DN 50 / 240 mm
Pump housing material	variant in grey cast iron, cataphoresis coated
Weight incl. insulation	DN 40 / 7.0 kg, DN 50 / 8.0 kg
EEI	≤0.23
Special equipment	Also available with PWM module

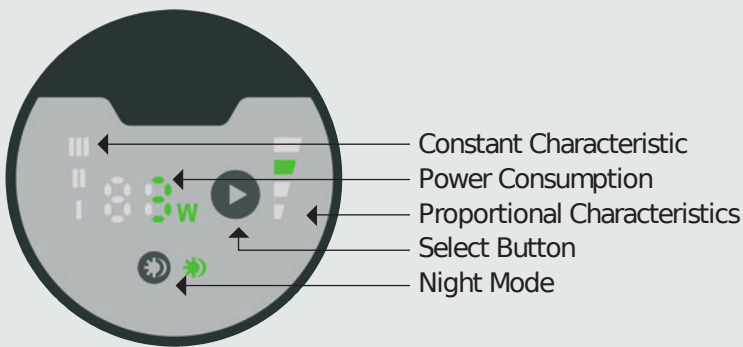




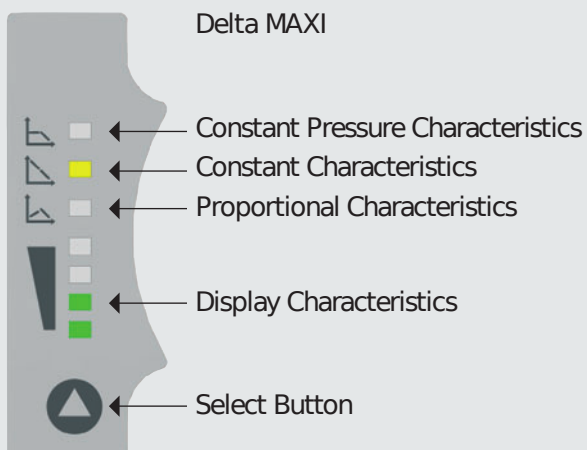
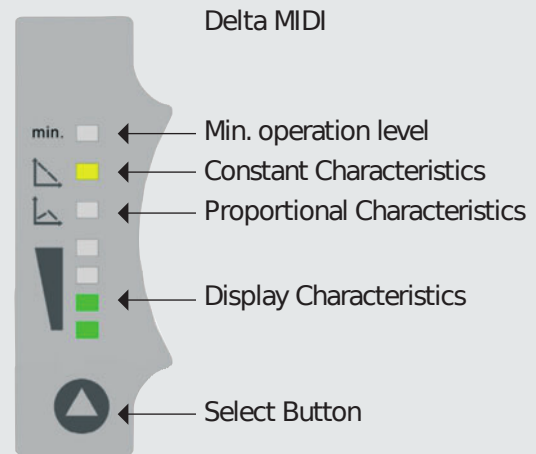
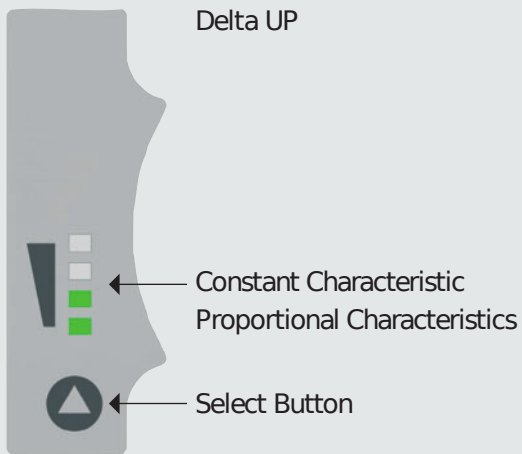
High efficiency pumps

Display

Display HE-Pumps



Display Delta UP, MIDI and MAXI



For further information as well as technical documentation for download we kindly invite you to visit our website:
[| www.wita-taake.de |](http://www.wita-taake.de)